

(12) INTERNATIONAL APPLICATION PUBLISHED UNDER THE PATENT COOPERATION TREATY (PCT)

(19) World Intellectual Property Organization
International Bureau



(43) International Publication Date
3 January 2002 (03.01.2002)

PCT

(10) International Publication Number
WO 02/00101 A2

- (51) International Patent Classification⁷: A61B
Princeton, NJ 08540 (US). GREGORY, Christopher, Carter; 1321 Wrightstown Road, Newtown, PA 18940 (US). ZANZUCCHI, Peter, John; 13 Jill Drive, West Windsor, NJ 08550 (US).
- (21) International Application Number: PCT/US01/20447
- (22) International Filing Date: 27 June 2001 (27.06.2001)
- (25) Filing Language: English
- (26) Publication Language: English
- (74) Agent: BLOOM, Allen; Dechert, P.O. Box 5218, Princeton, NJ 08543 (US).
- (30) Priority Data:
60/214,334 27 June 2000 (27.06.2000) US
09/741,755 20 December 2000 (20.12.2000) US
- (81) Designated State (national): JP.
- (84) Designated States (regional): European patent (AT, BE, CH, CY, DE, DK, ES, FI, FR, GB, GR, IE, IT, LU, MC, NL, PT, SE, TR).
- (71) Applicant: SARNOFF CORPORATION [US/US]; 201 Washington Road, CN 5300, Princeton, NJ 08543-5300 (US).
- Published:
— without international search report and to be republished upon receipt of that report
- (72) Inventors: ACETI, John, Gregory; 7 Monroe Drive, Cranbury, NJ 08512 (US). LOEWY, Zvi, Gerald; 4-50, Lyncrest Avenue, Fair Lawn, NJ 07410 (US). MORONEY, Richard, Morgan, III; 3 Kensington Court,

For two-letter codes and other abbreviations, refer to the "Guidance Notes on Codes and Abbreviations" appearing at the beginning of each regular issue of the PCT Gazette.



WO 02/00101 A2

(54) Title: ANALYTE MONITOR

(57) Abstract: Provided is an analyte monitoring device having a housing, the device comprising: a plurality of needles, each having a tip, a retracted position, a position wherein the tip is extended from the housing a distance adapted to pierce skin; an electrically or spring powered needle pushing apparatus movable to separately engage each of the needles to move each from the retracted position to the extended position; an energy source located within the housing; a plurality of analysis sites comprising an analysis preparation, each adapted to receive liquid from the needles to wet the analysis preparation; one or more light sources adapted to direct light at the analysis sites; one or more light detectors adapted to receive light from the analysis sites; and a processor.

ANALYTE MONITOR

This application claims the benefit of Provisional Patent Application Serial No.
5 60/214,334, filed June 27, 2000.

While efforts have been undertaken to increase the ease with which analytes from
body fluids, such as glucose, can be periodically monitored. No proposed solution has
proved entirely satisfactory. The present invention provides a new monitoring device
which allows convenient such monitoring with reduced pain.

10 Diabetes mellitus, a disease in which the pancreas fails to produce insulin or cells
fail to respond to insulin for cellular metabolism of glucose, is a world-wide public
health problem in terms of loss of quality of life and corresponding cost of care.

The World Health Organization estimates, as of 1994, there are 110 million
diabetics worldwide with 14-16 million in the USA. This number is increasing and
15 expected to double by 2030. Approximately 12-14 million diabetics are classified as
noninsulin dependent, or Type II, diabetics who can control their glucose levels by
changes in life style, by the use of medication or by the infrequent use of insulin. For
approximately 1-2 million diabetics, classified as Type I diabetics, injections of insulin
are needed to maintain glucose levels. Data from the Diabetes Control and
20 Complications Trial (DCCT), reported in 1993, show that the quality of life may
significantly be improved for people with diabetes if good control of blood sugar
(glucose) levels is maintained. Thus, there is a need for frequent and accurate self-
testing of glucose.

To meet this need, the most widely used, reliable and accurate method is a direct
25 assay for glucose in a small amount of, typically, venous blood. Hand-held instruments,
which measure the amount of glucose based on the interaction of glucose with reagents
predeposited on test strips, are now widely available. Typically these instruments detect
the amount of glucose in blood to plus or minus 4%, based on specific enzymatic
reactions using microliter samples of blood.

30 While the chemistry for these test are reliable, and the manufacturers of the test
strips have demonstrated good quality control, current self-testing remains a conscious
process in which the diabetic must elect to take a blood sample and do the assay protocol
for the hand-held instrument of choice. The primary failure for diabetics to do frequent

self-testing for blood glucose levels, as recommend by the conclusions of the DCCT, is the pain associated with obtaining blood samples on a frequent schedule as well as the inconvenience of this, particularly in public places.

To reduce pain and inconvenience, blood glucose assays based on interstitial fluid, on transport through the skin (iontophoresis) and by implanted glucose sensors are technologies currently proposed, in development, or FDA approved. Cygnus, Inc. (Redwood, CA) has received FDA approval for the "GlucoWatch" a noninvasive glucose testing device that is based on electrode-driven iontophoresis. MiniMed Inc. (Sylmar, CA) has developed and received FDA approval of an invasive glucose sensor which may be used to monitor glucose continuously for up to three days.

Provided here is a reliable and reduced pain or essentially pain-free approach to frequent glucose monitoring, or for monitoring of any blood metabolite. The use of very small samples, microliter or less, combined with a sensitive and reliable chemical test for the metabolite in an automated device allows for metabolite monitoring with convenience, comfort and reduced pain. The automation of the glucose testing offers an inherent psychological advantage in that the occurrence of the testing is essentially unknown to the user. Automation offers a further advantage in that a specific program can be applied for frequent testing based on the user's life style. With the present invention, a large number, for example 120, of blood tests can be provided per unit, thus allowing frequent testing for up to a month period. Furthermore, miniaturization allows for the design of a small device that can be in the shape of, e.g., a "watch", allowing for portability and unusual convenience.

Summary of the Invention

The invention provides an analyte monitoring device having a housing, the device comprising: a plurality of needles, each having a tip, a retracted position, a position wherein the tip is extended from the housing a distance adapted to pierce skin; an electrically or spring powered needle pushing apparatus movable to separately engage each of the needles to move each from the retracted position to the extended position; an energy source located within the housing; a plurality of analysis sites comprising an analysis preparation, each adapted to receive liquid from the needles to wet the analysis preparation; one or more light sources adapted to direct light at the analysis sites; one or more light detectors adapted to receive light from the analysis sites; and a processor.

The invention further provides an analyte monitoring device having a housing, the device comprising: (a) a plurality of needles, each having a tip, a retracted position, a position wherein the tip is extended from the housing a distance adapted to pierce skin; (b) an electrically or spring powered needle pushing apparatus movable to separately engage each of the needles to move each from the retracted position to the extended position; (c) an energy source located within the housing; (d) a plurality of evacuated sites, each adapted to engage an associated needle during or following needle movement to apply the vacuum to the needle while it is in an extended position; and (e) a processor.

10 An analyte monitoring device having a housing, the device comprising: one or more needles, each having a tip, a retracted position, a position wherein the tip is extended from the housing a distance adapted to pierce skin; and a light source fixed to the housing aligned to heat a tissue aligned to intercept the extended positions of the needles.

15

Brief Description of the Drawings

Figure 1 displays an analyte monitoring device of the invention.

Figure 2A-2C schematically shows the operation of one analyte monitoring device of the invention.

20 Figure 3A-3C shows the operation of another analyte monitoring device of the invention.

Figure 4A-4B shows the operation of an analyte monitoring device of the invention.

Figure 5 shows an additional analyte monitoring device of the invention.

25 Figure 6 shows an optical analytic device that can be used in the invention.

Figure 7A-7F schematically shows the operation of one analyte monitoring device of the invention.

Figure 8A-8D shows the operation of another analyte monitoring device of the invention.

30

Detailed Description of the Invention

Figure 1 shows an interior view of a relatively small analyte monitoring device which can be worn strapped or taped to an appropriate tissue from which a biological

fluid can be drawn via relatively short, small diameter needles for analysis. The device can be, for example, just over two inches in diameter.

Monitoring device 60 contains a plurality of needles 53, in this case sufficient to conduct a number of analyses (e.g., three to twenty-four) on each of a number of days (e.g., twenty, or forty, or more). The needles are associated with chambers 50 in which, in this embodiment, the analyses are conducted. Such chambers are optionally windowed. Axle 63 rotates platform 62 and arm 61 to align the arm with a needle 53 and the detector 64 on the platform with an associated chamber 50. The detector can contain, for example, a light source and a light detector. The light detected can be used to calculate an absorbance for sample in the chamber 50 (where the light path is reflected back to the detector), or a fluorescence from the sample. A stepper motor, wound spring with appropriate gearing, Geneva mechanism (producing intermittent rotary motion) with a DC motor, or the like can be used to move the platform and arm relative to the respective chamber and needle. A processor 65 accepts data from the detector. In some embodiments, the processor processes the data to derive normalized values, or monitors and controls the positioning of the moving parts of the monitoring device. Where the illustrated ring of chambers is located, for example, one inch from the center of rotation of the arm, they will be located on a circumference of just under 160 mm.

The circular format illustrated in Figure 1 provides a convenient format, but other formats can be used. For example, detectors can be provided with solid state LEDs and charge-coupled devices (CCDs), such that one or more light sources, and one or more pixels of a CCD can be permanently aligned with each operative chamber, so that control of detector operations is electronic. In other words, the light sources can be serially operated as necessary, and the serial draining of the charge collected in the appropriate CCD can be used to isolate the charges collected in currently operative pixels. One of ordinary skill will also note that all (or a significant subset) of the light sources can be operated, with detector site particularity derived from analyzing the appropriate detectors. However, even when using the differential excitation/emission wavelengths used in fluorescence detection, it is preferable to limit possible sources of cross-talk or electronic noise. Needle movement can be accomplished by a robotic device movable from location to location on x-y oriented cables, or by permanently assigned devices such as electromagnetically operated solenoids.

Figure 2A-C illustrates the operation of an embodiment of the monitoring device. Chamber 10 is separated from needle 12 by septum 11. After the needle pierces skin 5 (Fig. 2B), the other end of the needle pierces the septum. Chamber 10 can be packaged in vacuum, such that the vacuum provides a drawing force to quickly fill the chamber with fluid 13 drawn from the subject. The increase in filling speed provided by the vacuum helps further assure that no analytical reagents in the chamber will migrate to the patient. The fluid is typically blood or interstitial fluid (ISF). As illustrated, both the needle and the chamber move relative to the skin in this embodiment.

Figure 3A-C illustrates the operation of another embodiment of the monitoring device. Chamber 20 is isolated from atmosphere by first septum 21 and second (thick) septum 24. Needle 22 has a side port 23. As illustrated, insertion of the needle into skin 5 brings side port 23 into communication with a vacuum in chamber 20, which vacuum serves to pull fluid 25 into the chamber. The needle is sized, and the side port positioned so that the side port does not open to the chamber until the needle is inserted in the subject. The vacuum used in these embodiments is particularly useful where one seeks to draw blood, as the acceleration in drawing time provided by the vacuum avoids interference from blood coagulation. Nonetheless, vacuum is not required for operation of the invention. Note that the device of Figure 3 can be used with a second septum, or a thicker first septum 21 to isolate the needle prior to use. After use, the needle is retracted to its original position. In this illustrative embodiment, only the needle moves relative to the skin.

Figure 4A-B illustrates the operation of another embodiment of the monitoring device. The needle 72 is actuated through a hole in platform 70, on which platform is located a support 74 (which can be a membrane). When the needle is actuated, it pierces protective membrane/septum 75 and then the skin 5 of the subject. When fully actuated, a port 73 of the needle provides contact for primarily capillary flow from the subject to the support 74. In one embodiment, the support is a membrane on which the reagents needed to drive the analytical reaction have been deposited. Since the reaction volume is typically small, such as 300 nL or less, the reaction can occur primarily within the pores of the membrane. As discussed in US Patent 6,118,126, and in WO 99/23492, appropriate membranes, can be fabricated to provide sufficient amounts of fluorophors in the pores with appropriate proximity to the surface, thereby markedly enhancing

fluorescence detected from the fluorophors. The fluorescence enhancement applies where the detector is aligned with backscatter from the excitation light source.

Figure 5 illustrates a further embodiment of the monitoring device. The needle 82 is supported by bracket 86, which guides it toward protective membrane/septum 85 and then the skin 5 of the subject. The needle is actuated by engaging actuating bar 87, which is illustrated as sitting over reservoir 81. The reservoir serves in this case as a means of drawing a greater volume of fluid through ports 83. Note that preferred needles are of narrow inner and outer diameter, which means that the volume drawn by the needles by capillary action will typically be small, such that the illustrated reservoir can serve to increase that volume. In this embodiment, when the needle is actuated, liquid is drawn by capillary action. Upon removal of the actuating force, the needle retracts (see discussion below) and its upper opening contacts porous support 84, which is supported by platform 80.

The chambers in which the analytical reactions occur, or the platforms on which analytical reaction support reside can be translucent to the wavelengths of light used in the analysis. For example, the platform 80 illustrated in Figure 5 can be translucent. Thus, as illustrated in Figure 6, a light source 90 with filter 91 can direct light to support 84 through platform 80, and reflected or emitted light can be collected along a pathway through the platform leading to filter 93 and detector 92. Note that even in this embodiment one can take advantage of the surface effects enhancing fluorescence. The depth of porous support 84, or its porosity distal from the support-platform interface, can be adjusted such that the bulk of the fluorophors will be generated within pores sufficiently adjacent to the interface to provide a useful enhancement in measured fluorescence. For example, the depth at which e.g. $\geq 90\%$ of the fluorophors will reside at the detection stage can be no greater than about 80 microns, or no greater than about 40, 20 or 10 microns.

Note that in the embodiment of Figure 5, used as illustrated in Figure 6, the bottom surface of support 84 can be used to isolate cells such as red blood cells away from the portion of the support on which the analytical chemistry and detection shall be conducted. For example, if support 84 is a membrane, the pore size can be selected to exclude the cells. Even with relatively open pores in a porous support, it is anticipated that the cells will not migrate through the support to the support-platform interface that in some embodiments is more important to the analytical determination.

In another embodiment illustrated in **Figure 7A-F**, the monitoring device has a tray 40 of chambers 30, such as more specifically identified chambers 30A, 30B, etc., separated by spacers, supports 34. The chambers have associated needles 32, which are indicated in **Figure 7A** in hashed lines as they are initially aligned before or behind the tray 40. The chambers are enclosed below by a septum layer 31. The septum layer can be thick to assure no loss of vacuum in the chambers during needle puncture, as here illustrated by a second septum layer 33A. **Figure 7B** shows an end view of a cut-out of chamber 30A, together with associated needle 32A. A needle actuator 36, which can be specific to needle 32A, or which can be robotically or rotatably aligned with the appropriate needle as needed. The needle is pushed by actuator 36 until it locks into place, for example into slots in floating alignment brackets 39. Needle 32A can be provided with a bevel 35. Tray actuator 37 can move in the direction indicated by the arrow to engage the ends of the needle 32A in second septum 33A and third septum 33B. The tray actuator also serves as a vertical needle actuator. Further movement of the tray actuator causes the needle to pierce the skin 5 and the chamber 30A, while floating brackets 39 compress to allow for movement. In some embodiments, an initial vacuum in chamber 30A helps fill the chamber with biological fluid 38. The bevel 35 can act to help bring the needle out of the subject when the actuating force is removed.

As illustrated, a large number of chambers can be formed in a single piece of material. The portion of the chambers illustrated in **Figure 7A** forming the top wall of the chambers, for example, can be formed of the same single piece that in this embodiment forms the cavities. It can also be formed separately and sealed to the supports 34. Of course, the septum 31 and second septum 33A are formed separately. However, as illustrated, septa acting for a number of chambers are preferably formed of one piece of material.

In another embodiment illustrated in **Figure 8A**, tray 110 has chambers 101, such as specific chambers 101A, 101B, etc., enclosed top and bottom by first septum 104 and second septum 105A, respectively. Needles 102 have side ports 103. In **Figure 8B**, needle 102F is partially actuated so that first septum 104 is breached, but second septum 105A is not. At this stage, a vacuum in the housing in which the needles are stored equilibrates with the interior of chamber 101F. A pump can be actuated as needed to create, maintain or supplement the vacuum in the housing. Care is taken to preserve the vacuum while the needle is further actuated by use of a thicker second septum 105A or

the use of a third septum 105B supplemented by an evacuated space between the second and third septa. Spacers 107 support the third septum. Vacuum is not substantially compromised while the needle tip relatively quickly travels to pierce skin 5, leading to biological fluid 108 filling chamber 101F. In one embodiment, fluid 108 can then be transferred to support 111 by capillary action, as illustrated in Figure 8D. As previously, optical measurements can be made from either face of the support, with measurement on the reverse face allowing the support to act as a filter removing cells from the area generating the spectroscopic data.

Chambers

10 Chambers can be made of a number of materials which have proven stable to, for example, blood analysis samples and reagents, and which preferably are compatible with one or more sterilization processes. Such materials include suitable plastics, glass, silicon, quartz and the like. Suitable plastics include, for example, polycarbonate, polysulfone, acrylic (e.g. polymethyl methacrylate), polystyrene, styrenic copolymers
15 such as NAS copolymer of polystyrene and acrylic, styrene acrylonitrile copolymers (e.g., SAN), polyurethane, polyethylene, polyethylene terephthalate and 4-methyl-1-pentene (e.g., TPX) plastics. See, "Guide to Engineering Thermoplastics," in Medical Devices and Diagnostic Industry, April, 1995; and The Handbook of Plastic Optics, 2nd Ed., U.S. Precision Lens, 1983. Since it is frequently desirable to make the analytical
20 spectroscopic measurements of material in the chamber, a simplified method of providing a suitable optical window is to manufacture the chambers of materials that transmit light of the wavelengths required for the analysis. Since the wavelengths needed for many of the analyses are sufficiently high, a number of plastics are suitable, including those identified above.

25 With plastics, for example, structures can be formed by injection molding, casting, machining, and other methods known in the art. Where particularly fine dimensions are needed, LIGA (a German language acronym for lithography, electroplating, and molding) molding, wherein molds are formed by photolithography from relatively thick photoresist layers, can be used. With glass, silicon, and the like,
30 etching techniques, particularly techniques that generate well defined walls, such as reactive ion etching, can be used.

The size of the chambers will typically be small, such as sufficient to draw a small volume such as 5,000 nL, 2,000 nL, 1,000 nL, 500 nL, 300 nL, or less. Note that a

0.67 mm (26 mils) by 0.67 mm by .067 mm space provides a volume of about 300 nL. Of course, the size of the space used to draw the desired volume will typically be larger than the volume obtained by the drawing process, as can be established by ordinary experimentation.

- 5 The device has for example 32, 64, 96, 128, 160 or more chambers (and associated needles) to provide 1, 2, 3, 4, 5 or more daily samplings over the course of about a month.

Note that where optical detection is conducted from substantially the direction of the light source, a reflective surface (if needed) can be incorporated into the monitoring
10 device, such as on an outside surface of the chamber.

Septa

- A septum or protective membrane used in the invention can be made of a polymer, such as a silicone rubber, Teflon (polyperfluoroethylene), polyethylene or an elastomeric film (such as a natural rubber, ABS rubber, or polyurethane elastomer film).
15 In other contexts, greater thicknesses are needed to preserve vacuum in an associated chamber during actuation of the associated needle until the vacuum comes into play in helping draw fluid. A number of factors in selecting the septum will be considered by those of ordinary skill, such as the limitations of the septum-forming method, the flatness of the top surface of a septum as produced by a given method, the hardness of the
20 septum-forming material, the open area to be sealed by the septum, and compatibility with a suitable method of sterilization.

One method of attaching the septum is screen-printing. The printed septum can be made of silicone or another chemically-resistant, resilient material. Preferably, the septum is made of a mixture of (a) a silicone rubber-forming material such as that
25 available under the Sylgard 184™ brand from Dow Corning, Midland, Michigan or MDX4-4210™ also from Dow Corning and (b) an inert filler, such as the amorphous fumed silicon sold as M-5 grade Cab-o-sil™ (Cabot Corp., Boston, MA). Sylgard 184 and MDX4-4210 are sold in two components. One component is an emulsion containing particles of silicone rubber and a polymerization catalyst and the second component is a
30 preparation of a bi-valent monomer, which monomer serves to crosslink and thereby cure the silicone rubber. Component one of MDX4-4210, i.e. the "elastomer component," is made up of dimethylsiloxane polymer, reinforcing silica, and a platinum catalyst. Component two of MDX4-4210, the "curing agent," also contains dimethylsiloxane

polymer, in addition to a polymerization inhibitor, and a siloxane crosslinker. The components are generally mixed according to the manufacturer's recommendations. For example, for MDX4-4210, ten parts by weight of emulsion, i.e. elastomer, are mixed with one part of monomer solution, i.e. curing agent.

5 As examples of the use of inert fillers, about 7.5% by weight of M-5 grade Cab-o-sil can be added to the Sylgard 184, or about 2-3% by weight of M-5 grade Cab-o-sil can be added to the MDX4-4210. Filler can serve to thicken the pre-polymerized composition to improve its screen printing properties. Septum-forming materials can generally be cured at room temperature, or curing, can be accelerated, for example, with
10 heat. Prior to curing, the septum-forming material is capable of flow, though generally viscous flow, which flow is sufficient to facilitate the screen printing process. The septum-forming material is also sufficiently adhesive to adhere either to the plate to which it will be applied or to an underlying first layer of septum-forming material.

In one version of the screen printing process, a first layer of septum-forming
15 material is printed onto the plate and then cured. After this first printing, a second layer of septum-forming material is overlaid on the first, a smooth platen of appropriate shape (generally very flat) is overlaid upon the printed septum-forming material so that a uniform weight is applied to the printed septum-forming material (while taking precautions to prevent destructive adhesions of septum-forming material to the platen
20 such as described further below), and the septum-forming material is cured. The use of two printings of septum-forming material helps form a foundation of septum-forming material prior to the smoothing process conducted after the second printing. To achieve this smoothness and uniform thickness, it is important to apply a sufficiently uniform pressure to the septum during a final curing process. This pressure should be selected to
25 be, for the particular septum-applying process, sufficiently high to create the needed uniformity during the curing process, but not so high as to overly compress cured portions of septum-forming material such that upon release of the pressure these portions re-expand and create a non-uniform seal thickness. A single print process can also be used, and such a single print process is generally preferred since it is simpler and more
30 readily applied to a production process. In a single print process, which is described further below, a platen is applied directly after the first (and only) printing of septum-forming material, and prevented from settling down too far or too unevenly by mechanical stops.

Preferably, the width of each print feature on the screen is uniform, as width non-uniformities increase the probability of a thickness non-uniformity at the end of the process. After printing and processing, the applied septum patterns are broadened. For example, in applications using the two-print process and 6 mil wide pattern on the print screen, an 18 mils wide pattern has been produced.

Because the septum material is applied over openings forming chambers, the initial formation of the gasket is usefully conducted on a flat surface adapted to not adhere the septum-forming material, such as glass treated with a release agent such as silicone oil or a siliconizing agent. A second layer of septum-forming material can be applied, and the septum transferred to the surface on which the cavities are formed while the septum-forming material of the second layer is still sufficiently tacky to adhere.

Needles

An important feature of the invention is the provision of small-scaled needles with sufficient rigidity and durability. The small scale is important to provide the number of analyses in one device needed to substantially ease the burden of conducting numerous analyses over the course of, for example, a week. Small size also reduces the pain associated with piercing the subject's skin. The needles are able to sustain a 0.3 mN force to allow insertion through, for example, a subject's skin.

Preferably, the needles are 8 mils or 200 μm or less in diameter, preferably with an inner diameter of at least about 50% of the outer diameter. Inner diameters of 6 mils (150 μm), 4 mils (100 μm), 2 mils (50 μm) or 1 mil (25 μm) or less are contemplated. The length of the needles is adapted to provide the communication with internal constituents of the monitoring device and sufficient penetration into tissue to obtain the desired biological fluid. Typically, the needles can be 10 mm or less, 4 mm or less, 2 mm or less, or 1 mm or less in length. Where ISF is the targeted biological fluid, the length adapted to penetrate the subject will be sufficiently short to avoid piercing through the dermis, which typically has a depth of 2 to 3 mm.

The needles can be made by small-scaled molding of suitable plastics. One such small-scaled molding technique uses LIGA (German acronym for lithography, electroplating, and molding) to create small-scaled molds. Suitable plastics include polyetheretherketone (PEEK) and polyethersulfone (PES),. The polymer can be filled with a reinforcing substance, such as 10-40% filled with glass or carbon fiber.

Plastics can be extruded with outer diameters of, for example, 4 mils (100 μm) or less, and inner diameters of 2 mils (50 μm) or less.

Glass and suitable plastics can be drawn to suitable inner and outer diameters. It should be noted that the inner to outer diameter ratio is maintained during the drawing process. Glass needles can be diamond coated by vapor deposition.

Silicon wafers can be used to form needles by reactive ion etching or other high definition etching techniques. For example, 40:1 height:width ratio features can be created. The needles are formed from the wafer leaving a tab connecting the needles formed from the wafer. The needles are, for example, mechanically separated. The wafer can be etched at an angle to create a beveled needle tip. A sharp tip can also be formed with an initial etch using an anisotropic etching method, such as ethylene diamine/pyrocatecol/water (EDP) or KOH etching.

Alternatively, the needles so formed of silicon can be used as reverse molds to form molds for plastic needles. Or, the wafer can be directly etched to form the molds.

The needles can also be formed of, for example, sapphire (Al_2O_3) or quartz. For example, edge-defined methods can be used wherein molten material is contacted with an initial mold which draws up a leading edge by capillary action. Subsequently the mold is drawn upwards, and the sapphire or quartz material crystallizes in a geometry matching the leading edge drawn from the molten material.

Needles can also be of metal. Metallic needles are formed, for example, by drawing needles formed to a larger scale. Electrochemical cutting, for example, can be used to cut the needles while electrochemically removing burrs or other ruff edges. Alternatively, needles can be formed by extrusion and ground to the appropriate shape.

Bevels can also be created by, for example, laser cutting of the needle ends.

Supports

In some embodiments, the assay is conducted on a support on which assay reagents have been previously deposited. The support can be calibrated to wet with a desired volume of fluid sample.

It is believed that an important characteristic for achieving the fluorescence enhancement result described here is the presence of voids on the surface or interior of the material. It is believed that such voids provide "microcavities" or "scatter cells" which contribute to the phenomenon, basically by increasing the pathlength of the

excitatory radiate energy, thereby increasing the probability of fluorescence excitation events. It is further believed that the voids should be present in sufficient density to so that the beam of excitatory light sees a uniform density of such microcavities or scatter cells. The material should not absorb light of the excitatory wavelength that is to be used to induce the fluorescence. If broad band light is to be used, then the material should not be absorptive of the portion of the light that is effective to induce the fluorescence. A narrow band of light, or even laser light source, is preferred as the source of excitatory light. It is because of the absorption issue that, when nylon membranes are used, fluorescent reagents that are excited by, for example, He-Ne lasers are preferred over those excited by argon lasers.

It is further believed with many textured materials the enhancement effect is most pronounced when the emissions are collected over a relatively narrow collection surface positioned at and around an axis corresponding to the angle of reflectance for the excitatory light. Preferably, the collection surface covers no more than about the area of a 20° cone extending from the textured surface and symmetrically positioned about the above-described axis. More preferably, the collection surface covers no more than about the area of a 10° or 5° cone. Preferably, the angle of incidence of the excitatory light is substantially 90° relative to the textured surface, such that the collection zone is along the same axis, as illustrated in Figure 1. "Substantially" 90° in this context refers to an angle which helps maintain at least about 75%, preferably at least 85%, 90% or 95%, of the fluorescence yield available with a 90° angle.

Suitable textured materials include, but are not limited to, nylon, poly(carbonate), poly(vinylidene difluoride) ("PVDF"), and nitrocellulose membranes. Preferably, nylon membranes are used, including commercial nylon membranes, such as those from Pall Corp. (East Hills, NY, or particularly, Biosupport Division, Port Washington, NY), Amersham Pharmacia Biotech, Inc. (Piscataway, NJ) and Cuno Inc. (Meriden, CT).

Assay Reagents

The reagents for use in creating a fluorescent signal in response to the analyte are typically enzymes, enzyme cofactors, buffering agents, salts, and stabilizing reagents. The reagents are selected from reagents that can be stored in dry form and dynamically re-hydrate to active form. One common assay design makes use of one or more steps in a biosynthetic or catabolic pathway that generates a reduced form of NAD⁺ or NADP⁺ or

other electron carrier (e.g., FMN, FAD). The assay can make use of a cascade of enzyme-mediated reactions that generate in excess of one equivalent of reduced electron carrier per analyte equivalent. The reduced electron carrier is used to reduce a fluorophor precursor to create the fluorophor, for example, using diaphorase.

5 For example, where glucose is the analyte, ATP and glucose kinase can be used to generate glucose-6-phosphate (G6P). An oxidized form of an electron carrier, e.g., NADP⁺ G6P is then acted on by a 6-phosphogluconate dehydrogenase to generate the reduced form of the electron carrier. The reduced form of the electron carrier and a suitable fluorophor precursor are then acted upon to generate the fluorophor. Such
10 methods are described, for example, in US Patent 5,360,595 (colorimetric strip assay), US Patent 5,302,513 (fluorometric assay using diaphorase) and US Patent 5,912,139.

Buffering agents, if needed, are provided in amounts suitable to stabilize the pH in a range that allows effective action by all the enzymes used in the assay. Similarly, salts, if needed, are provided in amounts determined to support all of the enzymes used.
15 Stabilizing agents, such a glycerol and inert polymers such as PEG are provided as empirically determined to be useful.

Dyes which have enhanced fluorescence in a reduced state and which have been shown or are thought to be useful with a diaphorase include salts of 7-hydroxy-3H-phenoxazin-3-one (Resazurin), neutral red, 4',6-diamidino-2-phenylindole (DAPI),
20 bisbansimide (Hoechst 33258), and the like.

The assay agents can be provided on a polymer support that dissolves or disperses on hydration. As discussed elsewhere, the assays can be conducted on a more stable support on which the assay agents are deposited. Deposition techniques will be recognized by those of ordinary skill. These include drying from liquid form and the
25 method described in US Patent 6,045,753 (Loewy et al.)

Optical Detection Elements

Individually addressable LEDs can be constructed by packaging individual LEDs of suitable dimensions on a circuit board allowing the individual illumination either of each LED or a subset of the LEDs. For example, the semiconductor laser diodes (visible
30 and infrared wavelengths) available from Opto Power Corporation (Tucson, AZ) or SDL, Inc. (San Jose, CA) can be so packaged. Alternatively, such LEDs with emitter center-to-center dimensions of 14 micrometers or 100 micrometers are available pre-packaged in multiples of 4 from SDL, Inc. For such relatively closely spaced light

emitters, optics are generally used to direct the individual beams towards the more widely spaced-apart detection sites. The closely packed emitters have advantages in cost and simplicity of the housing requirements. Where each emitter will be directly aligned with a detection site, preferably the center-to-center dimension used in the present application ranges from about 1 mm to about 20 mm. In various embodiments, preferred ranges are from about 1 mm to about 20 mm, from about 1 mm to about 10 mm, or from about 1 mm to about 5 mm.

Detector arrays can be, for example, a charge coupled device (CCD, such as that available from DALSA, Inc. (Easton CT), Sarnoff Corporation (Princeton, NJ) or Princeton Instruments (Trenton, NJ)), an intensified CCD array (such as that available from Princeton Instruments, Hamamatsu Corp. (Bridgewater, NJ) or Photometrics Ltd. of Tucson, AR), a focal plane array (such as that available from Scientific Imaging Technologies, Inc. (Beaverton, OR), Eastman Kodak Co., Inc. (Rochester, NY) or Sarnoff Corporation), a photodiode array (such as that available from Reticon Corp. (Sunnyvale, CA), Sensors Unlimited, Inc. (Princeton, NJ) or Hamamatsu) or photodetector array (such as that available from FLIR Systems Inc. (Portland, OR), Loral Corp. (New York, NY), or Hughes Electronic Corp. (Los Angeles, CA)).

Controller

The monitoring device is operated by an internal controller. The controller keeps count and track of the used needles and chambers, operates the actuating devices, light emitting devices and detectors, and collects the raw output from the light detectors. The controller also calculates an outcome from the raw data sufficient to determine if the value is in some cases too high or too low. The outcome can be reported by a stored value that is later downloaded for consideration, in a visual analog or digital display on a scale, in a visual or sound-mediated signal giving an indication that the result falls in one of two or more categories (e.g., a. satisfactory, b. alarm; a. satisfactory, b. borderline out-of-acceptable range, c. alarm), or the like.

In one embodiment, the controller has a device for transmitting outcome data or outcome-derived instructions to another device. Such transmission can be for example by wire-mediated electronic communication, Rf signaling, IR signaling, or the like. The other device can comprise a device for delivering therapeutic substances in response to the measured amount of a monitored analyte. The device can also be integrated with, or

adapted for coupling with, a personal digital assistant (PDA), such as one of the Palm series of PDAs available from Palm, Inc. (Santa Clara, CA; a subsidiary of 3Com).

The controller incorporates a timing device. In some embodiments, the monitoring events (needle actuation, etc.) are triggered according to a pre-established timetable. In other embodiments, the user or medical personnel can program the
5 timetable or choose between two or more pre-established timetables.

Interactions with the controller can be through any number of devices, such as a small-scaled keypad incorporated into the monitoring device, a more limited set of switches such as are used to program a digital watch, by communication with an external
10 device which can have, for example, a more robust input device.

It will be recognized that the various controller functions described here can be incorporated into, for example, one integrated circuit, or multiple integrated circuits or other electronic devices.

Other Device Features

15 Output devices are incorporated into the monitoring device. These can comprise a visual display, such as an LCD or LED-mediated display, a sound generating device that can emit either simple tones or synthesized speech, electronic devices for transmitting data, and the like.

The energy source for the device can be, for example, a battery, or a small-scaled
20 fuel cell.

Small-scaled solenoids or like pushing devices are described, for example, in Elan Corporation, WO 99/62576.

Tissues or body parts to which the monitoring device can be affixed/secured include wrists, forearms, upper arms, torso, thighs, calves, ankles, and the like. The
25 device is preferably secured with a strap. The device can also be secured with adhesive, which can also be used to supplement the hold gained with a strap. Suitable adhesives, particularly hypoallergenic adhesives, are available for example from the 3M Corporation. The monitoring device can be affixed to a tissue having a low density of pain-sensing nerves, such as the forearm or thigh.

30 To retract the needle after use, the distal end of the needle can be affixed to a spring, which includes any of a number of devices known to those of skill in the art that store potential energy derived from a displacement, and tending to provide a force favoring a reversal of the displacement. The actuator can thus, when it applies force to

move the needle to the extended position, push against the spring, allowing the spring to provide a force favoring the return of the needle to the retracted position once the force from the actuator is removed.

In another embodiment, the housing cannot be reversibly opened such that the analyte monitoring device is disposable. For example, the needles, pushing apparatus, energy source and analysis sites can be within the housing, where the housing cannot be reversibly opened such that the device is adapted for disposable use. Or, the device has a housing adapted to not be re-openable such that the energy source is not replaceable or rechargeable.

10 Cassette

In one embodiment, the needles, chambers and the lower portion of the monitoring device through which the needles traverse are mounted in a removable cassette. Thus, the more expensive portions of the monitoring device, such as light detection devices and controllers can be reused, while the portions that contact biological fluid are periodically replaced by substituting cassettes. In one embodiment, a power source is mounted in the cassette to assure periodic replacement. In other embodiments, the power source (e.g., battery, fuel cell) is in a separate accessible compartment and is separately periodically replaced.

20 Calibration Control

In one aspect, the monitoring device has a slot for receiving a control package having one or more chambers containing a calibration control, such as a fixed concentration of the analyte to be monitored (plus control), or components designed to mirror the material components of a sample less the analyte to be monitored (minus control). The monitoring device either senses the presence of the control package to activate a control algorithm, or its interface allows the user to signal to initiate a control algorithm. In such a control algorithm, at least one chamber and associated needle are engaged with a control fluid from the control package. The control fluid tested can be the plus control, or, using two chambers, the plus control and the minus control. The algorithm (a) operates to adjust calculation parameters in light of the control result, (b) operates to adjust the calculation parameters only if a sufficient deviation from norms is encountered, (c) operates to confirm that the monitoring device is within norms or notes a deviation indicating a need to change or service the monitoring device, (d) makes its

determination to adjust or indicate a deviation only after conducting a further control assay, or the like.

Enhancement of ISF Recovery

In one embodiment, a near infra-red or visible light emitting device is incorporated into an ISF-drawing device. The emitted light heats the tissue from which ISF will be drawn, resulting in increased ISF recovery. Without limitation to theory, it is believed that one aspect of the increased ISF recovery is increased ISF flow to the heated tissue. Preferably, the light emitting device, such as a diode or solid-state laser, emits light in the 1.3 to 1.6 micron wavelength range.

10

Definitions

The following terms shall have, for the purposes of this application, the respective meanings set forth below.

- **Diaphorase.** The name "diaphorase" has been applied to several enzymes which catalyze the oxidation of either beta-NADH or beta-NADPH in the presence of an electron acceptor such as methylene blue or 2,6-dichlorophenol-indophenol. Diaphorases are typically specific for either beta-NADH or beta-NADPH. The pig heart enzyme of Straub (Straub, *Biochem. J.* 3: 787, 1939) has diaphorase (beta-NADH specific) as well as lipoic and lipoamide dehydrogenase activities. The enzyme is reported to be a single protein, but Massey reports that "diaphorase" is may be a denatured lipoamide dehydrogenase. Pre-incubation of the pig heart preparation with Cu^{++} reduces the lipoamide dehydrogenase activity and proportionately increases the beta-NADH diaphorase activity. Massey and Veeger, *Biochim. Biophys. Acta* 48: 33, 1961. Source examples include *Clostridium kluyveri*, Torula yeast, *Bacillus sterothermophilus* and other sources apparent to those of ordinary skill.
- **Spring.** A spring is any device, including the myriad of such devices known in the art, that mechanically stores kinetic energy as potential energy.

All publications and references, including but not limited to patents and patent applications, cited in this specification are herein incorporated by reference in their entirety as if each individual publication or reference were specifically and individually indicated to be incorporated by reference herein as being fully set forth. Any patent

application to which this application claims priority is also incorporated by reference herein in its entirety in the manner described above for publications and references.

While this invention has been described with an emphasis upon preferred embodiments, it will be obvious to those of ordinary skill in the art that variations in the preferred devices and methods may be used and that it is intended that the invention may be practiced otherwise than as specifically described herein. Accordingly, this invention includes all modifications encompassed within the spirit and scope of the invention as defined by the claims that follow.

What is claimed:

1. An analyte monitoring device having a housing, the device comprising:
 - a. a plurality of needles, each having a tip, a retracted position, a position wherein the tip is extended from the housing a distance adapted to pierce skin;
 - 5 b. an electrically or spring powered needle pushing apparatus movable to separately engage each of the needles to move each from the retracted position to the extended position;
 - c. an energy source located within the housing;
 - d. a plurality of analysis sites comprising an analysis preparation, each adapted to receive liquid from the needles to wet the analysis preparation;
 - 10 e. one or more light sources adapted to direct light at the analysis sites;
 - f. one or more light detectors adapted to receive light from the analysis sites; and
 - g. a processor.
- 15 2. The analyte monitoring device of claim 1, wherein elements a and d can be replaceably inserted into the analyte monitoring device as part of a cassette.
3. The analyte monitoring device of claim 1, wherein the housing cannot be reversibly opened such that the analyte monitoring device is disposable.
- 20 4. The analyte monitoring device of claim 1, wherein elements a, b and c are within the housing, and wherein the housing cannot be reversibly opened such that the device is adapted for disposable use.
- 25 5. The analyte monitoring device of claim 1, further comprising:
 - h. a Rf or IR signaling transmitter adapted for communicating with a second, external processor.
- 30 6. An analyte monitoring device having a housing, the device comprising:
 - (a) a plurality of needles, each having a tip, a retracted position, a position wherein the tip is extended from the housing a distance adapted to pierce skin;

- (b) an electrically or spring powered needle pushing apparatus movable to separately engage each of the needles to move each from the retracted position to the extended position;
- (c) an energy source located within the housing;
- 5 (d) a plurality of evacuated sites, each adapted to engage an associated needle during or following needle movement to apply the vacuum to the needle while it is in an extended position; and
- (e) a processor.

10 7. The analyte monitoring device of claim 6, wherein the device has a housing adapted to not be re-openable such that the energy source is not replaceable or rechargeable.

15 8. An analyte monitoring device having a housing, the device comprising: one or more needles, each having a tip, a retracted position, a position wherein the tip is extended from the housing a distance adapted to pierce skin; and
a light source fixed to the housing aligned to heat a tissue aligned to intercept the
20 extended positions of the needles.

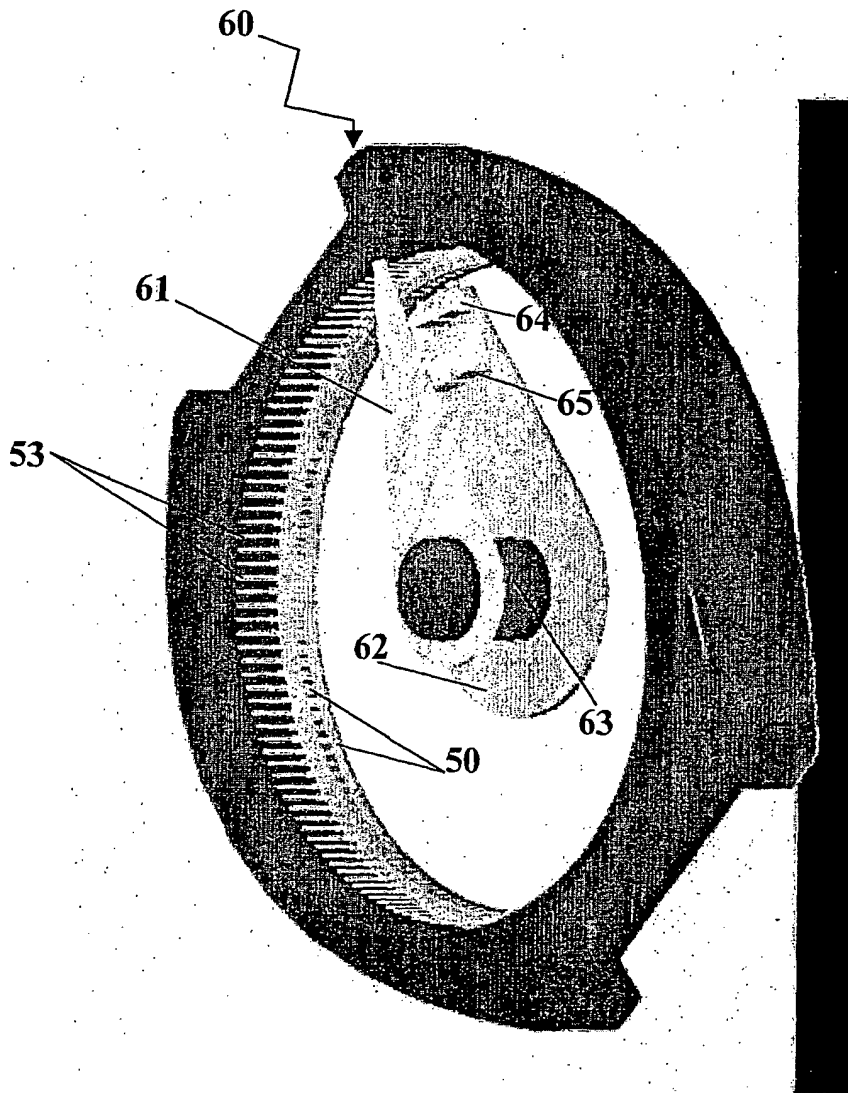


Fig. 1

2/11

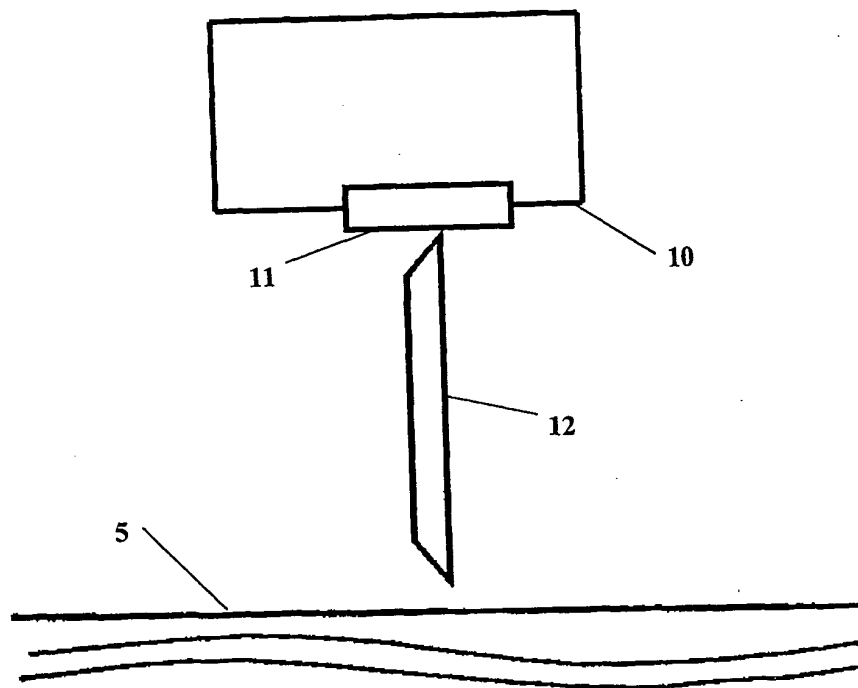


Fig. 2A

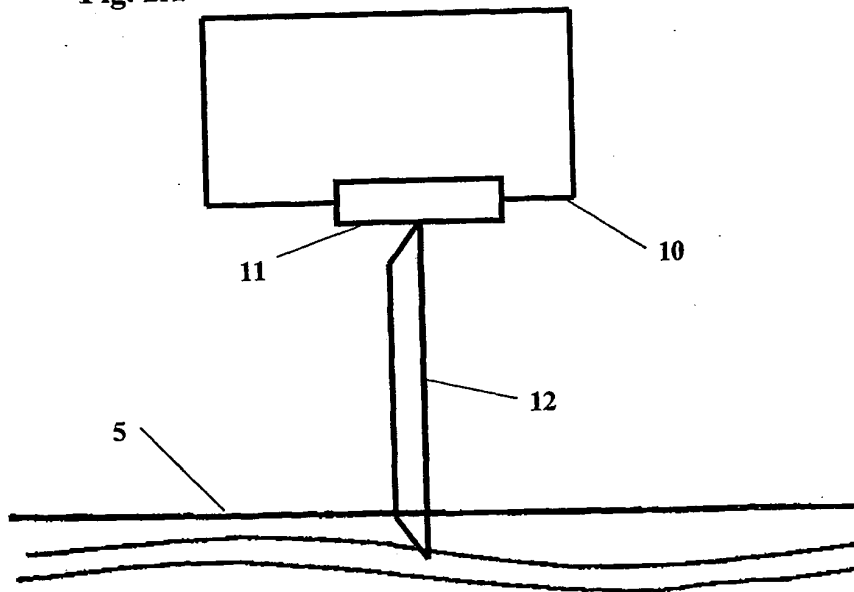


Fig. 2B

3/11

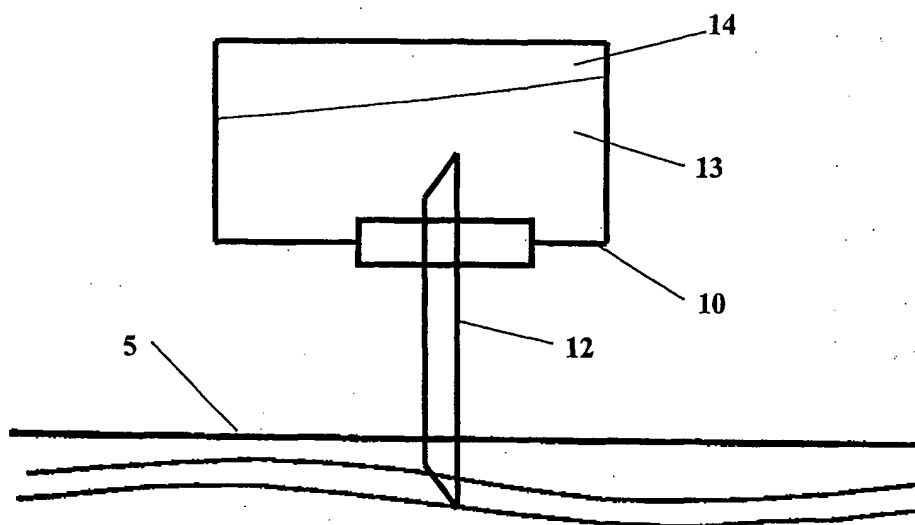


Fig. 2C

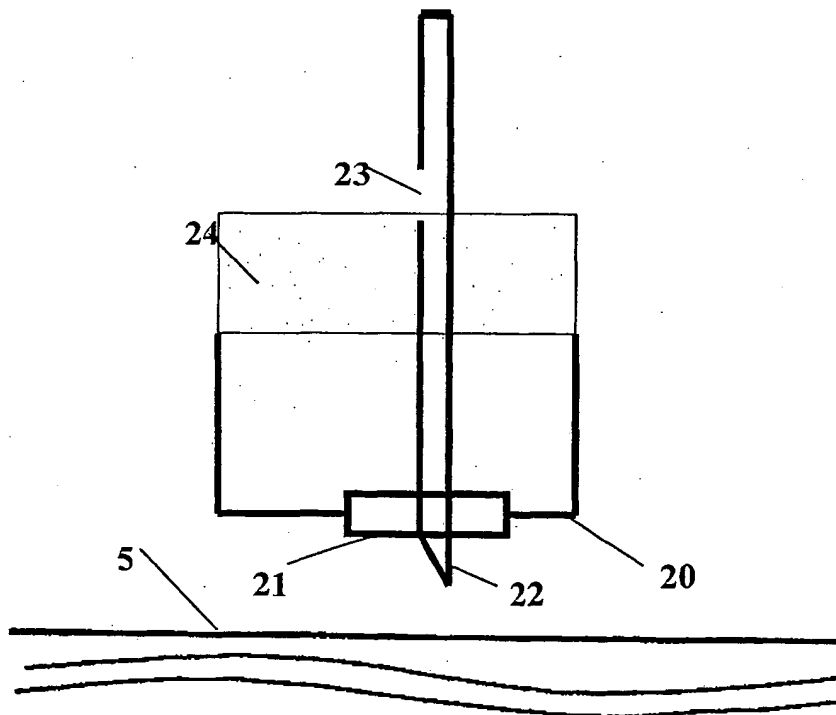


Fig. 3A

4/11

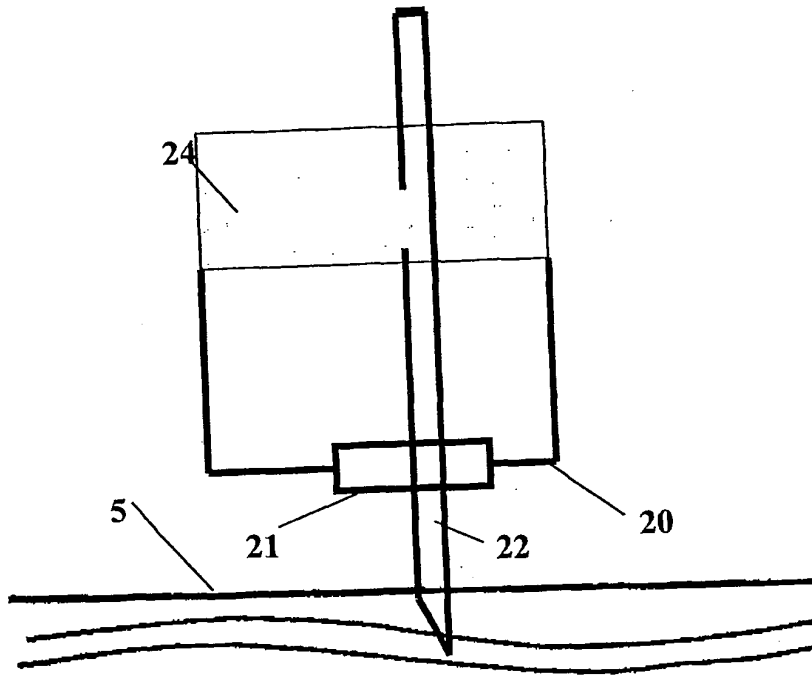


Fig. 3B

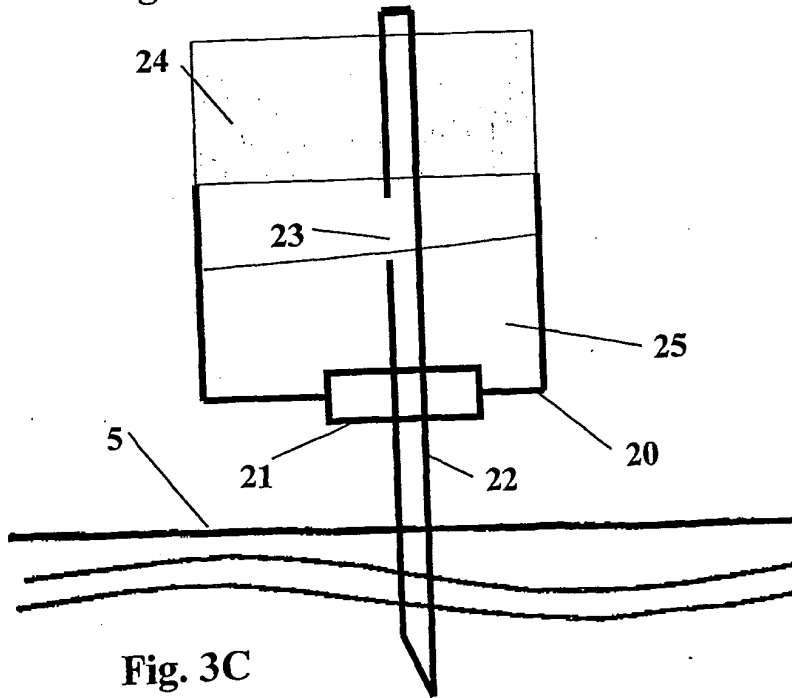


Fig. 3C

5/11

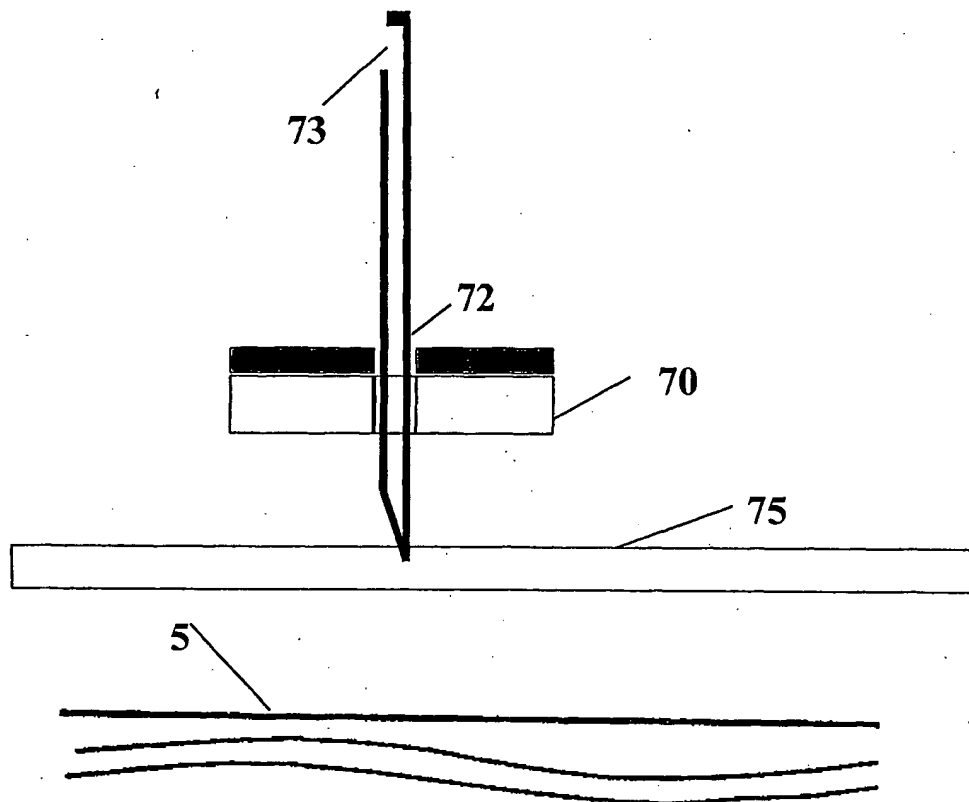


Fig. 4A

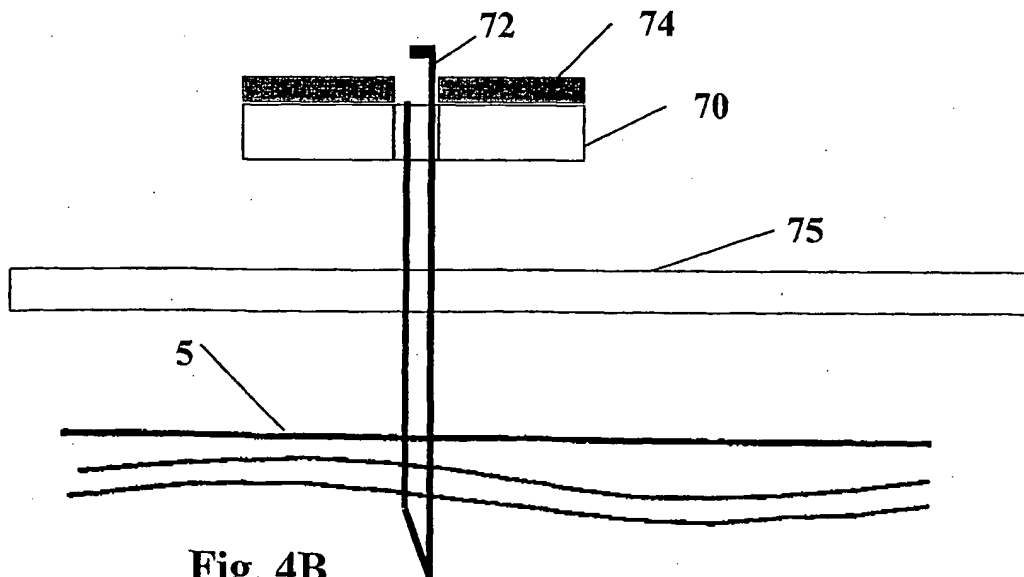


Fig. 4B

6/11

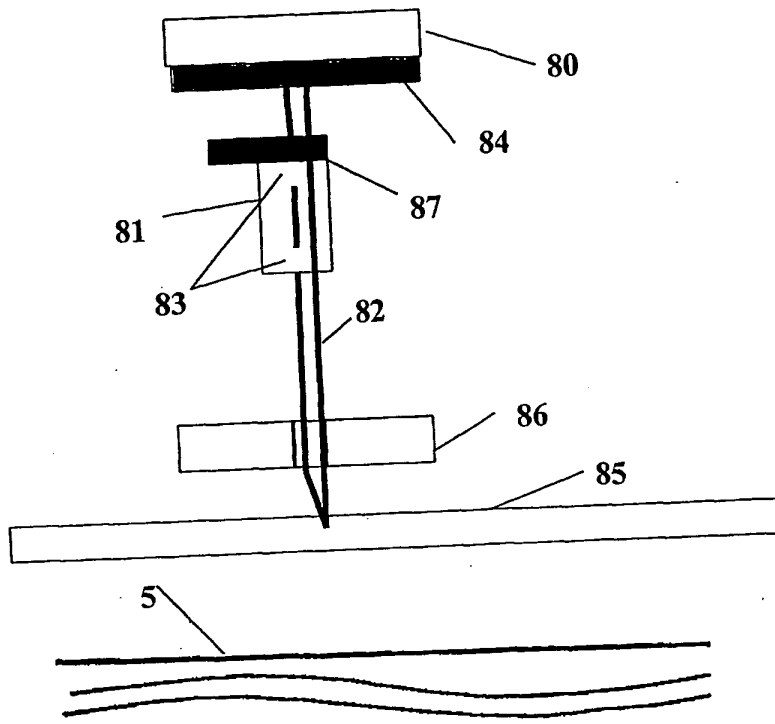


Fig. 5

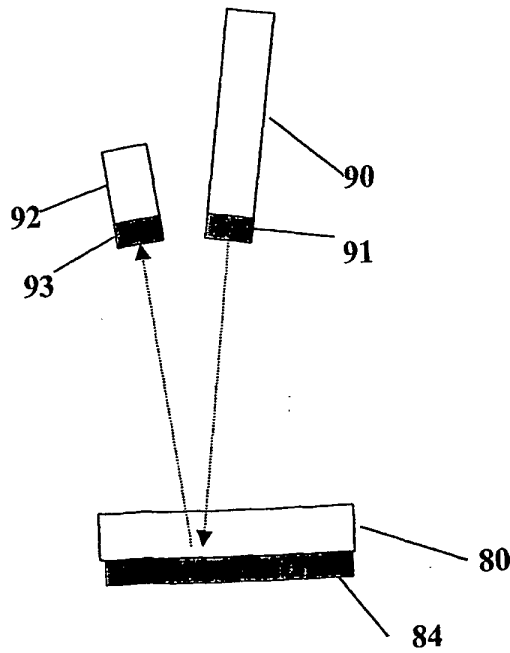


Fig. 6

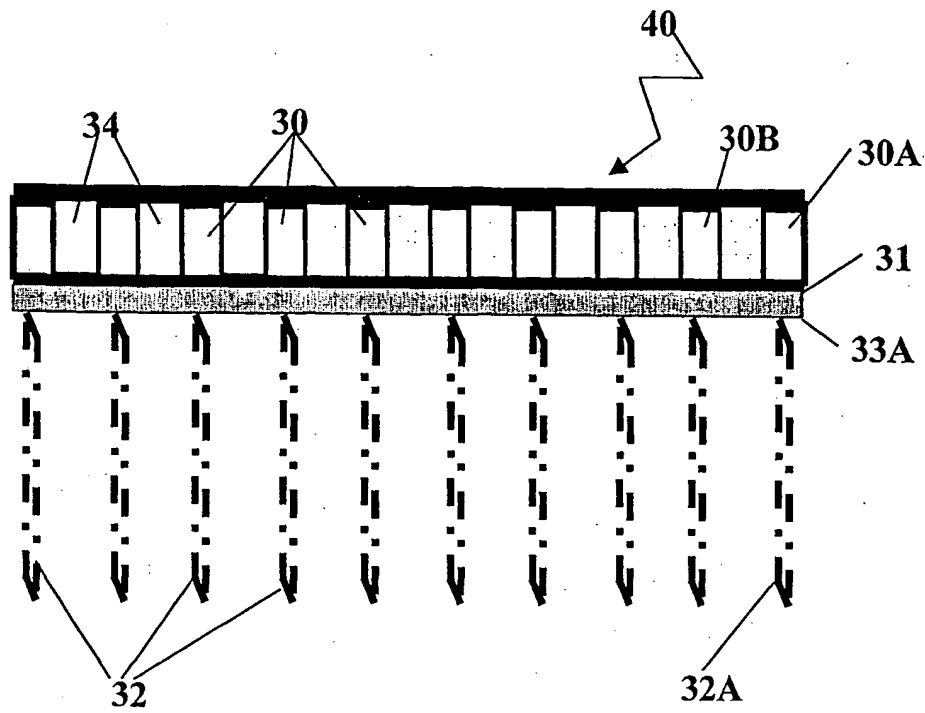


Fig. 7A

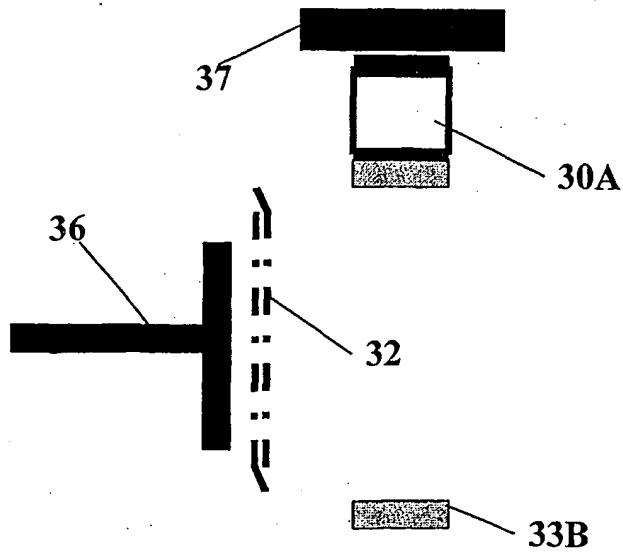


Fig. 7B

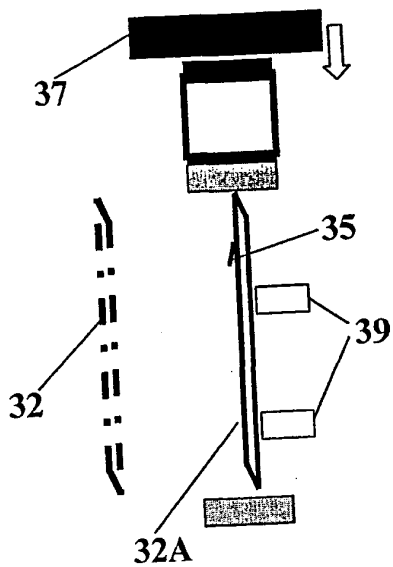


Fig. 7C

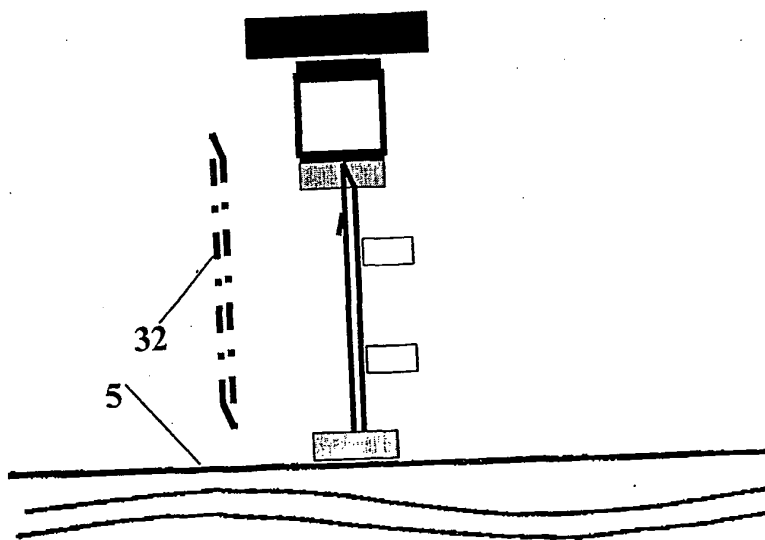


Fig. 7D

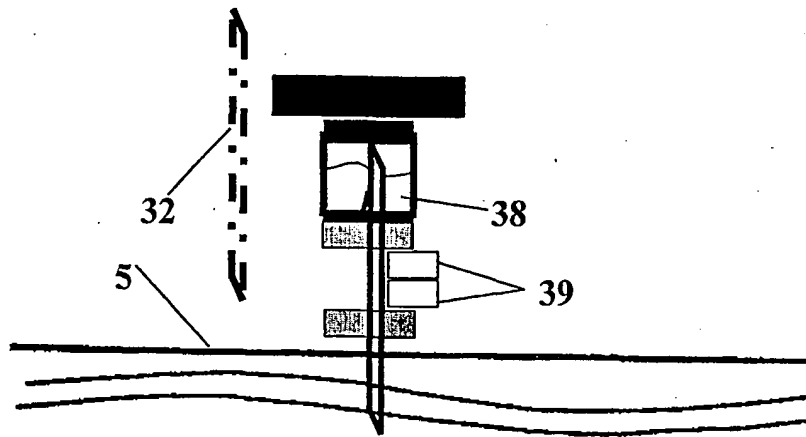


Fig. 7E

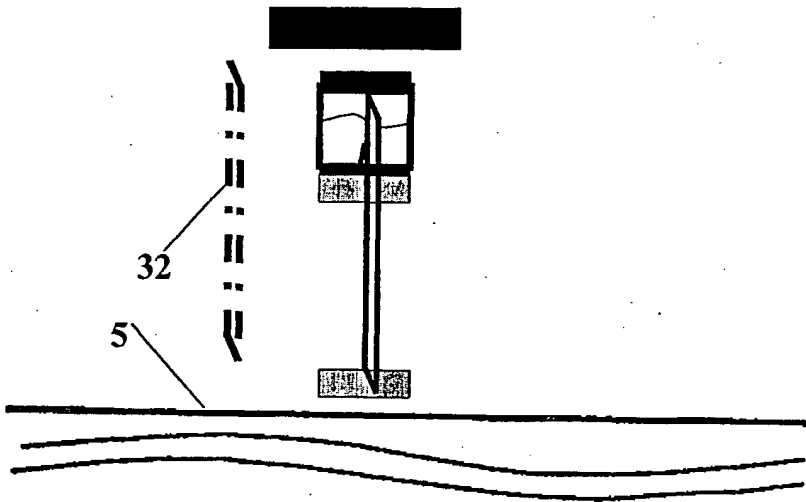


Fig. 7F

10/11

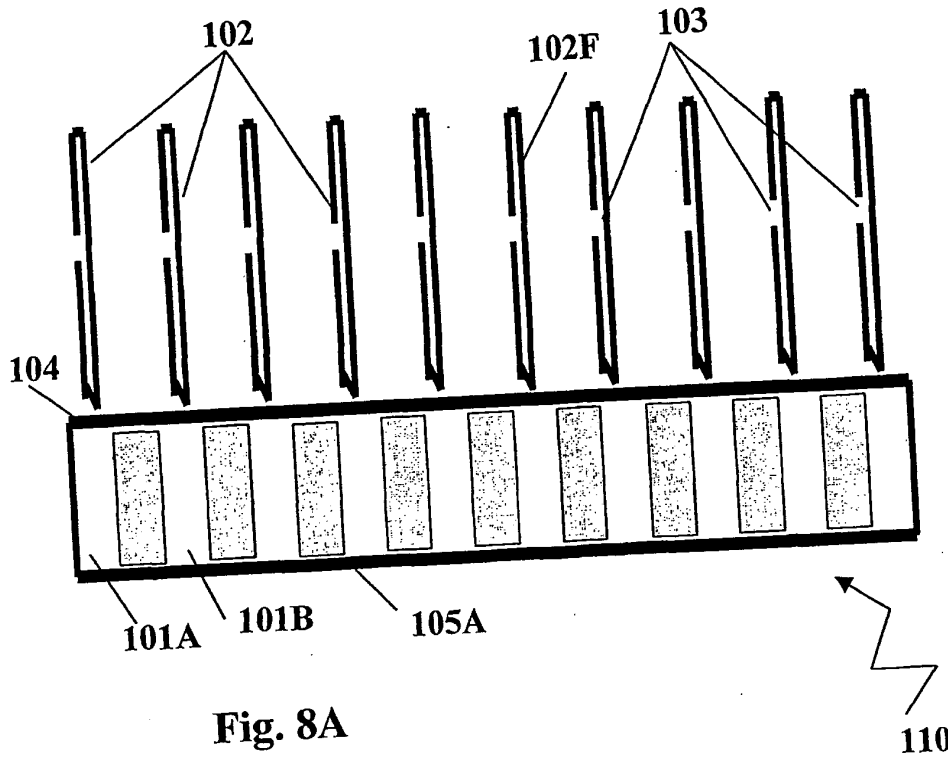


Fig. 8A

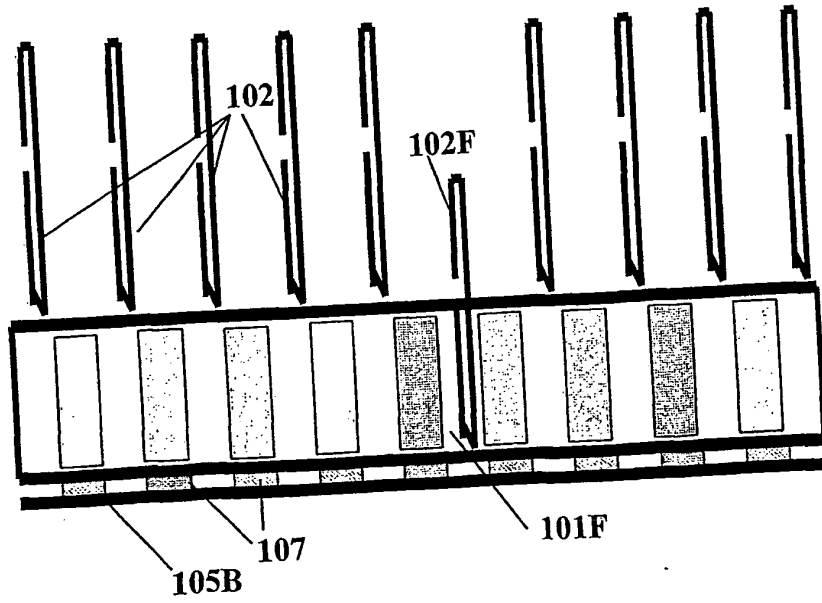


Fig. 8B

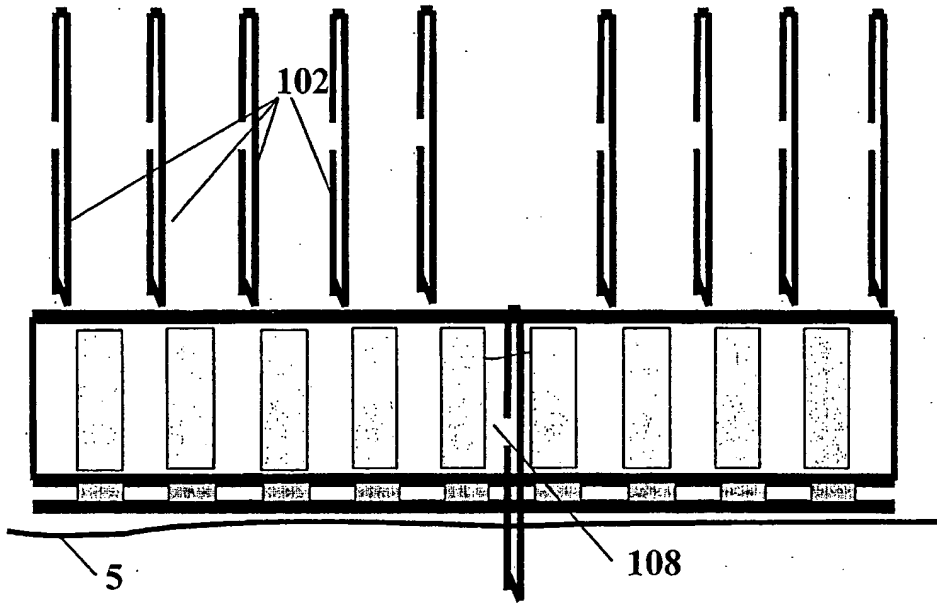


Fig. 8C

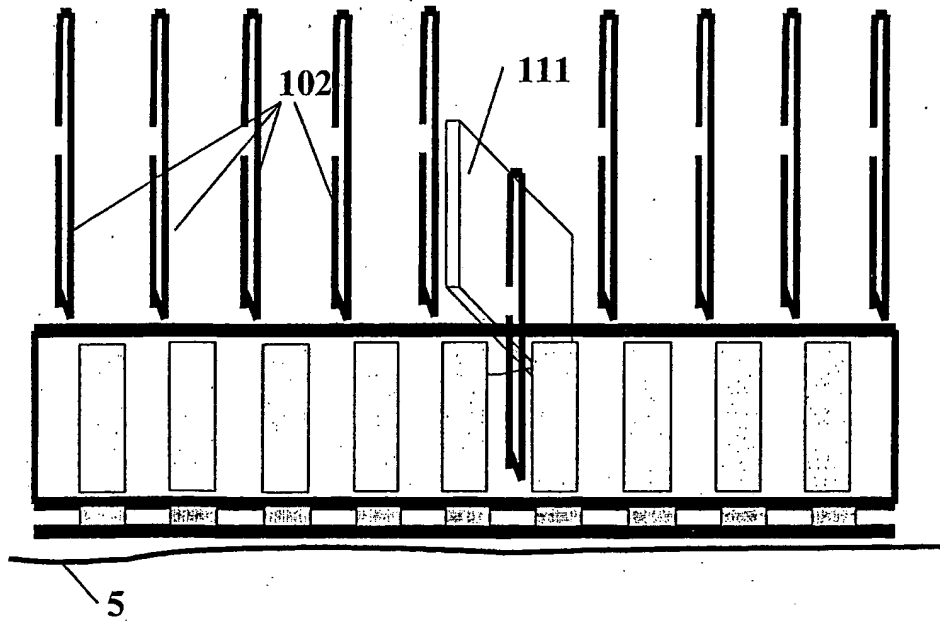


Fig. 8D

BLANK PAGE